

ELECTRICAL LOAD TABLE

ITEM	QUANTITY	HP	SUGGESTED BREAKER SIZE *		PHASE	REMARKS
			208/230V	460V		
CARWASH MOTOR	1	10	50 AMP	25 AMP	3 PH	
EV1 SYSTEM	1	20	120 AMP	60 AMP	3 PH	
	1	1				
BLOWER MOTORS	3	15	175 AMP	80 AMP	3 PH	
	1	1/3				
R.O. PUMP	1	1.5	20 AMP		1 PH	
R.O. REPRESSURIZATION	1	3	20 AMP		1 PH	
AIR COMPRESSOR	1	5	20 AMP	10 AMP	3 PH	(VERIFY WITH OWNER)

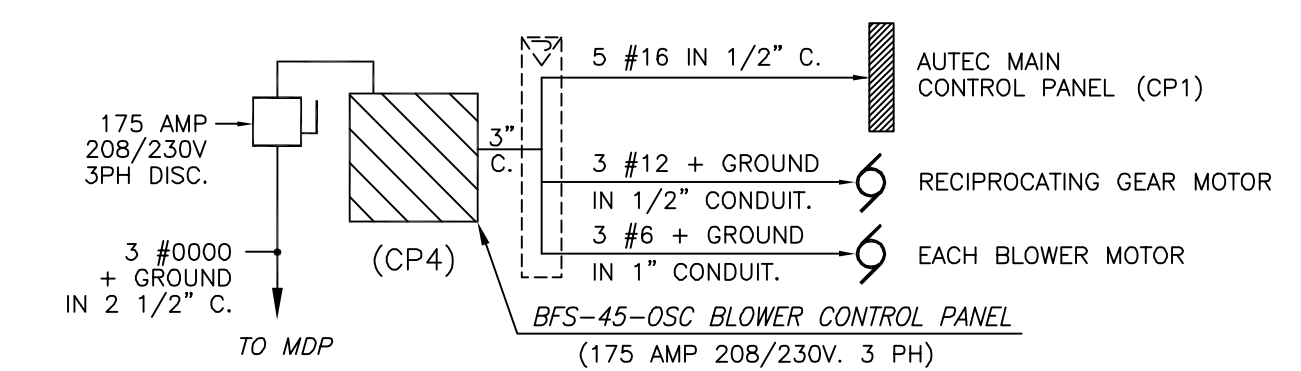
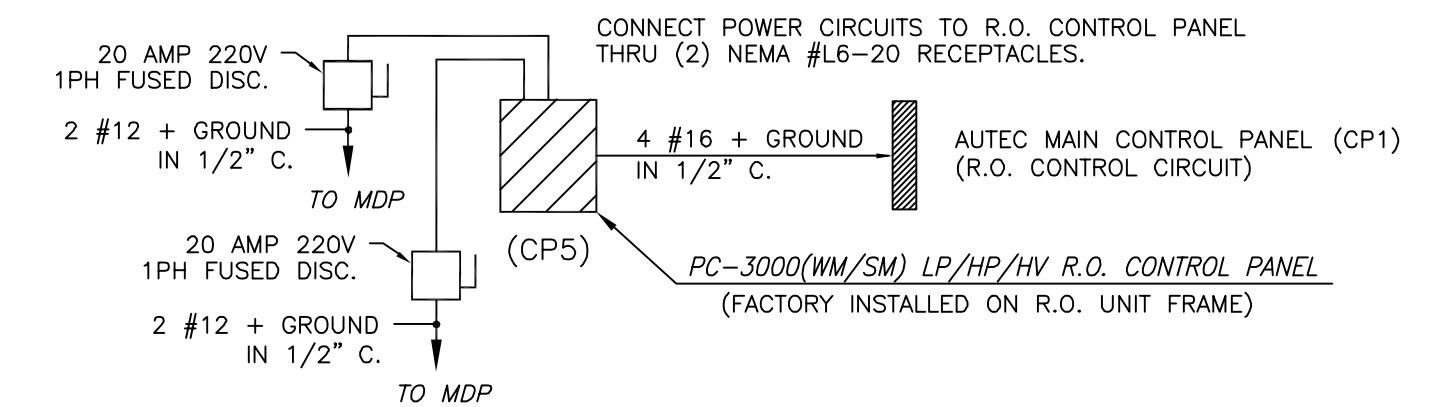
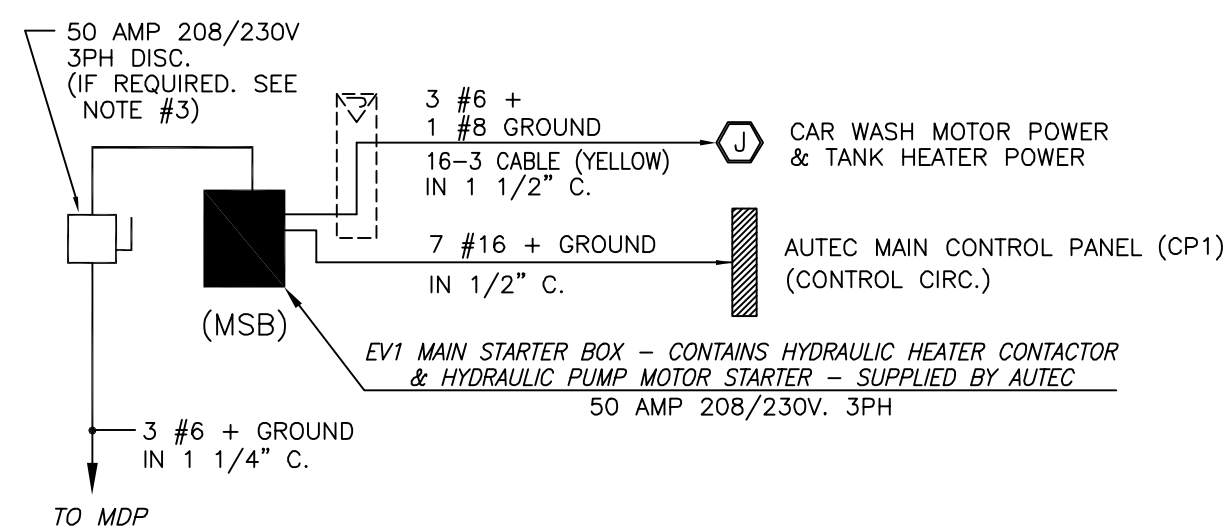
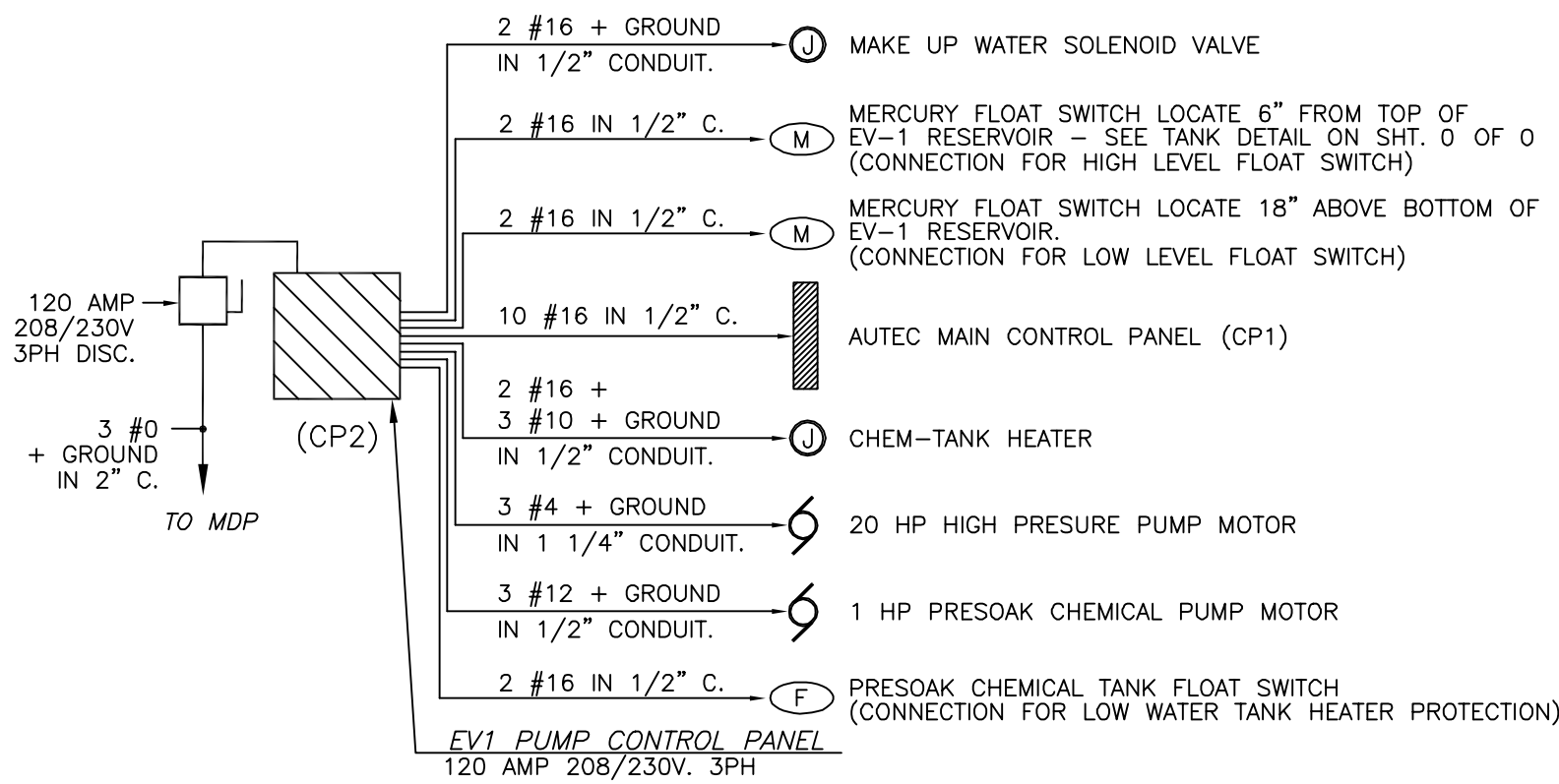
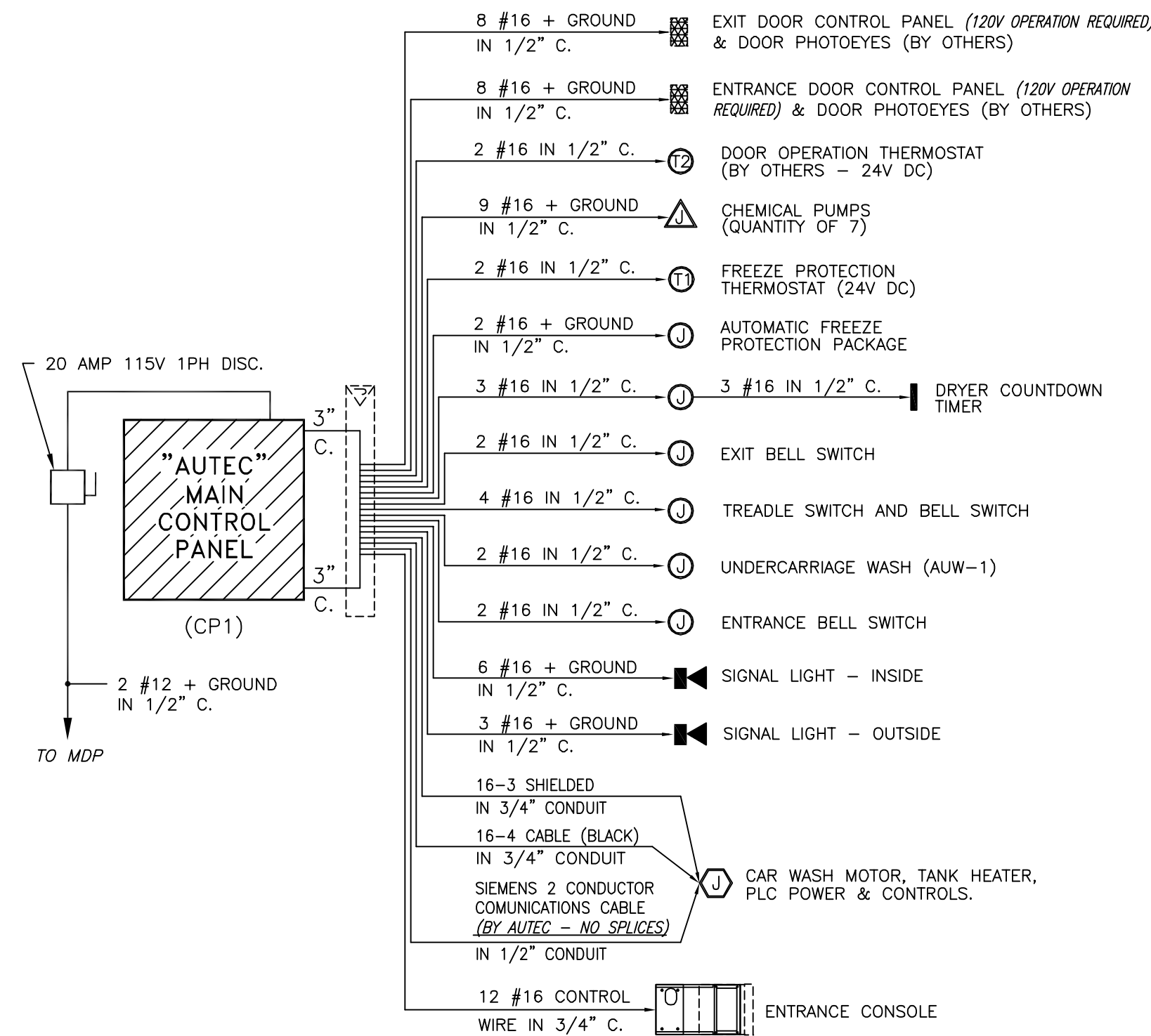
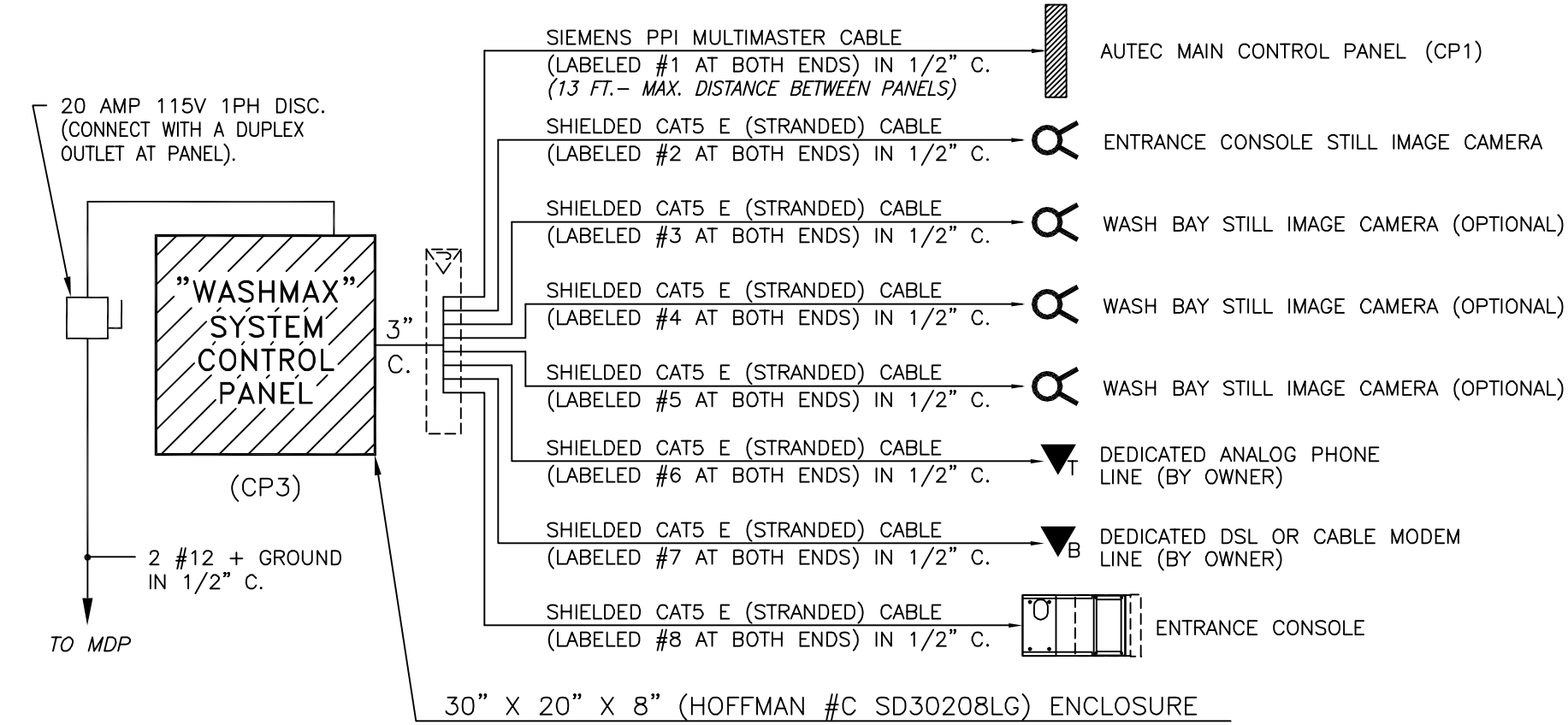
ITEM	QUANTITY	VOLTS/AMPS	PHASE	REMARKS
ENTRANCE CONSOLE	1	115V. 20 AMP	1 PH	(GFI CIRCUIT REQUIRED)
SERVICE OUTLET	2	115V. 15 AMP	1 PH	(GFI CIRCUIT REQUIRED)
MAIN CONTROL PANEL	1	115V. 20 AMP	1 PH	
WASHMAX PANEL	1	115V. 20 AMP	1 PH	

* THESE ARE SUGGESTED BREAKER SIZES BASED ON TYPICALLY USED EQUIPMENT. VERIFY EQUIPMENT LOAD REQUIREMENTS WITH ACTUAL EQUIPMENT USED. SIZE ELECTRICAL SERVICE ACCORDINGLY.

NOTE: SEE OWNER FOR WASH BAY AND AREA LIGHTING AND ALL OTHER EQUIPMENT LOADS REQUIRED AT SITE

SYMBOL SCHEDULE

SYMBOL	DESCRIPTION	REMARKS	SUPPLIED BY	INSTALLED BY	NO. REQ'D.
⊙	JUNCTION BOX	2" x 4" x 2"	ELEC. CONTRACTOR	ELEC. CONTRACTOR	10
⚠	JUNCTION BOX	6" x 6" x 6"	ELEC. CONTRACTOR	ELEC. CONTRACTOR	1
⊕	JUNCTION BOX	16" x 14" x 8"	AUTEC	ELEC. CONTRACTOR	1
⊞	JUNCTION BOX	10" x 10" x 96" TROUGH (NEMA 3R)	ELEC. CONTRACTOR	ELEC. CONTRACTOR	1
⊖	DUPLEX RECEPTACLE	2"x4"x2" J. BOX w/WEATHERPROOF COVER	ELEC. CONTRACTOR	ELEC. CONTRACTOR	2
⊖	SIGNAL LIGHT	115 V. - 1PH	AUTEC	ELEC. CONTRACTOR	2
⊞	STILL CAMERA	(SEE MANUFACTURER FOR INSTALLATION INFO)	AUTEC	ELEC. CONTRACTOR	4
⊞	TELEPHONE OUTLET	(1-DEDICATED LINE TO CAR WASH EQUIP.)	OWNER	ELEC. CONTRACTOR	1
⊞	BROADBAND OUTLET	(1-HIGH SPEED DSL/CABLE LINE TO CAR WASH EQUIP.)	OWNER	ELEC. CONTRACTOR	1
⊞	THERMOSTAT	FOR AFP1 FREEZE PROTECTION OPERATION	AUTEC	ELEC. CONTRACTOR	1
⊞	THERMOSTAT	FOR WASH BAY DOOR OPERATION	OTHERS	ELEC. CONTRACTOR	1
⊞	PHOTOEYES (SEND & RECEIVE)	(FOR WASH BAY DOOR OPERATION)	OTHERS	ELEC. CONTRACTOR	4
⊞	MERCURY FLOAT SWITCH	(SEE TANK DETAIL FOR MOUNTING)	AUTEC	ELEC. CONTRACTOR	2
⊞	FLOAT SWITCH	(FOR HEATER PROTECTION IN CHEM STAND TANK)	AUTEC	ELEC. CONTRACTOR	1
⊞	AUTOMATIC DOOR CONTROL PNL.	(120 V OPERATION REQUIRED)	OTHERS	ELEC. CONTRACTOR	2
⊞	MAIN STARTER BOX (MSB)	CONTACT AUTEC FOR DELIVERY SCHEDULE	AUTEC	ELEC. CONTRACTOR	1
⊞	CONTROL PANEL (CP1,2,3,4,5)	CONTACT AUTEC FOR DELIVERY SCHEDULE	AUTEC	ELEC. CONTRACTOR	5
MDP	MAIN DISTRIBUTION PANEL		ELEC. CONTRACTOR	ELEC. CONTRACTOR	1



GENERAL NOTES:

- ALL WIRING TO BE IN CONDUIT (BY ELEC. CONTRACTOR). WIRE TO TREADLE SWITCH TO BE IN RIGID CONDUIT (BY ELEC. CONTRACTOR).
- ALL JUNCTION BOXES TO BE WATERPROOF TYPE - SEE SCHEDULE FOR SIZES.
- 50 AMP 208/230V 3PH DISCONNECT REQUIRED ONLY IF MDP IS LOCATED IN SEPARATE AREA OR IF MDP IS MORE THAN 50'-0" AWAY FROM "AUTEC" MAIN STARTER BOX. (VERIFY WITH LOCAL CODES)
- ALL WIRING TO BE "THWN" OR EQUIVALENT.
- ALL ELECTRICAL, PLUMBING & COMPRESSED AIR LINES AND CONNECTIONS ARE THE RESPONSIBILITY OF THE OWNER/GENERAL CONTRACTOR AND ARE TO BE MADE BY QUALIFIED LICENSED PERSONNEL TO MEET STATE AND LOCAL CODES. NEITHER AUTEC OR THEIR REPRESENTATIVES SUPPLY OR INSTALL THESE ITEMS.
- ALL MOUNTING HEIGHT DIMENSIONS STATED ON DRAWINGS ARE TO THE BOTTOM OF ITEM. (A.F.F.) = ABOVE FINISHED FLOOR.
- DOOR HEIGHT OPENING MUST BE 10'-0" MIN.
- INSIDE HEIGHT CLEARANCE FOR CAR WASH EQUIPMENT MUST BE 10'-8" MIN.
- BUILDING BY OTHERS.

NOTE: ALL REQUIRED ELECTRICAL AND PLUMBING ITEMS ARE TO CONFORM TO STATE AND LOCAL CODES.

NOTE - THE INFORMATION ON THIS DRAWING IS PRESENTED AS A GUIDE AND REFERENCE ONLY AND IS SPECIFICALLY NOT FOR CONSTRUCTION.

CIRCUIT DIAGRAMS

(CONTRACTOR TO SUPPLY ALL WIRING RUNS IN CONDUIT TO AND FROM CONTROL PANELS)

A PROPOSED PLAN OF:				LITTLE DUKES PRINCETON, MINNESOTA	
PRESENTED BY:				AUTEC Car Wash Systems - Copyright 2001	
NO. DATE DESCRIPTION BY CHKD.				POWER AND EQUIPMENT 2	
DRAWN BY: CMR		ENGINEER:		DATE: 01-25-2007	DRAWING NO. EV1-0114
CHECKED:				SCALE: AS SHOWN	REV. 0
				SHEET 2 OF 5	